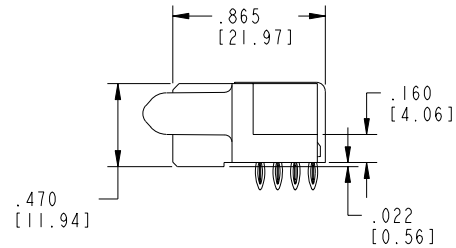
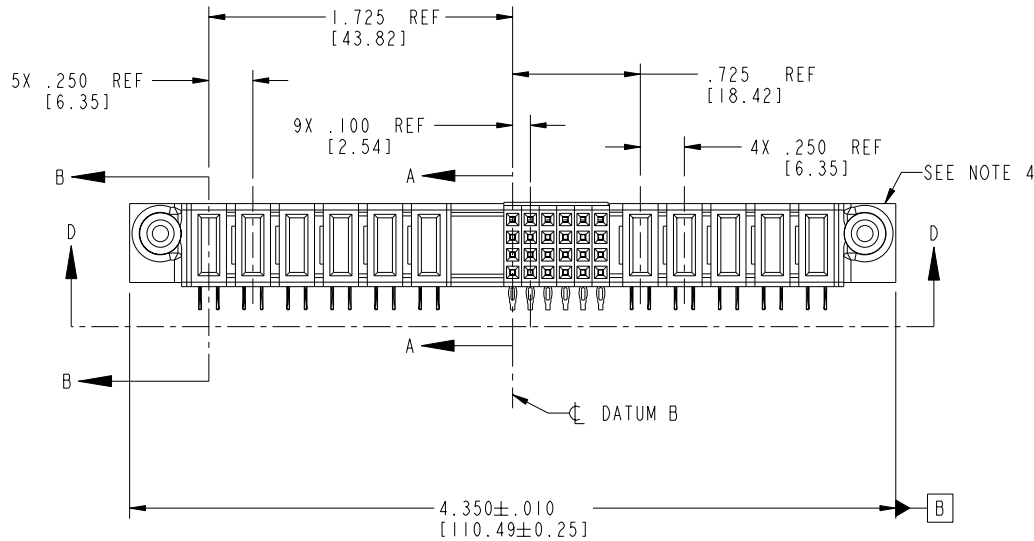
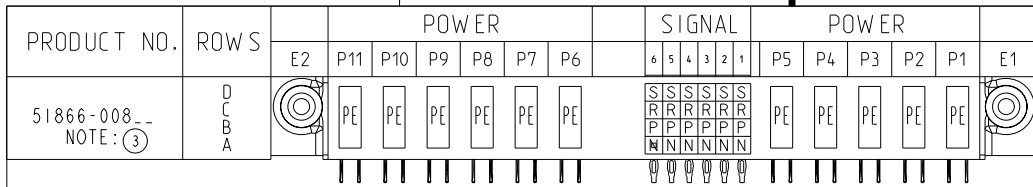


Tous droits strictement réservés. Reproduction ou communication a des tiers interdite sous quelque forme que ce soit sans autorisation écrite du propriétaire. Propriété de c FCI. Droits de reproduction FCI.

All rights strictly reserved. Reproduction or issue to third parties in any form whatever is not permitted without written authority from the proprietor. Property of FCI. Copyright FCI.



CODE	DIM "M" MATING LENGTH	CONTACT TYPE
N	N/A [N/A]	SIGNAL
P	N/A [N/A]	SIGNAL
R	N/A [N/A]	SIGNAL
S	N/A [N/A]	SIGNAL
PE	.042 [1.07]	POWER

mat'l code SEE NOTE 2				tolerances unless otherwise specified		CUSTOMER	
ltr	ecn no.	dr	date	linear	projection	www.fciconnect.com	
A	V12545	JWS	11/29/01	.XX±.01/0.X±0.3	INCH/MM	COPY	
B	DG05-0232	SJ	07/20/05	.XXX±.005/0.XX±0.13	scale	5P + 24S + 1M + 6P R/A PRESS FIT RECEPT.	
				.XXX±.0020/0.XX±0.051	1:1	product family	PwrBlade
				angles		size	dwg no
				dr	J. SHAFFER	11/29/01	51866-008
				enr	J. ALLISON	11/29/01	213
				chr	J. ALLISON	11/29/01	sheet
				appd	J. ALLISON	11/29/01	1 of 4
sheet index	revision	B	B	B	B		
	sheet	1	2	3	4		

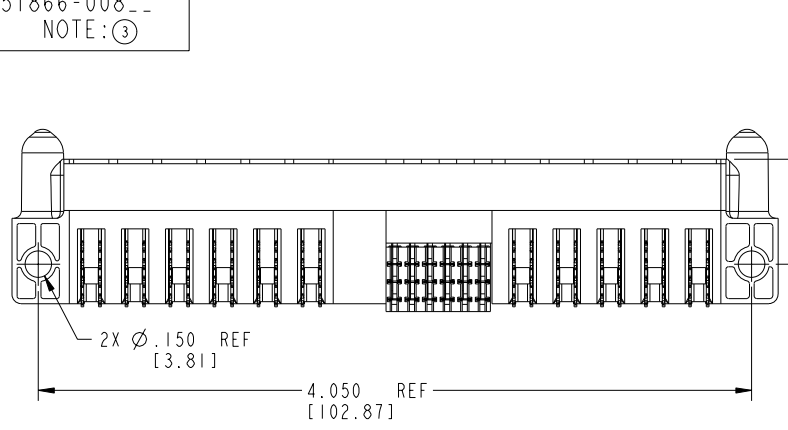
sheet index		revision		B	B	B	B
		sheet		1	2	3	4

cage code 22526 4

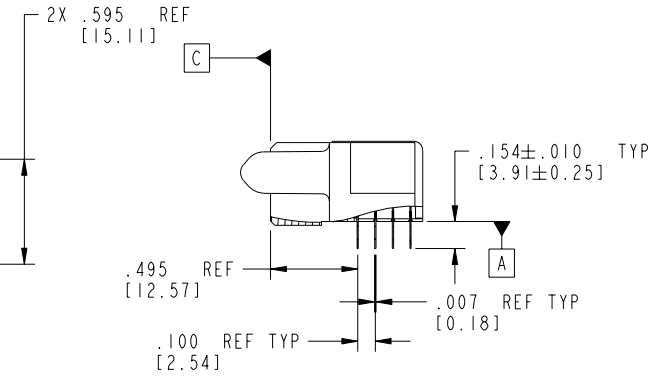
Tous droits strictement réservés. Reproduction ou communication à des tiers interdite sous quelque forme que ce soit sans autorisation écrite du propriétaire. Propriété de FCI. Droits de reproduction FCI.

All rights strictly reserved. Reproduction or issue to third parties in any form whatever is not permitted without written authority from the proprietor. Property of FCI. Copyright FCI.

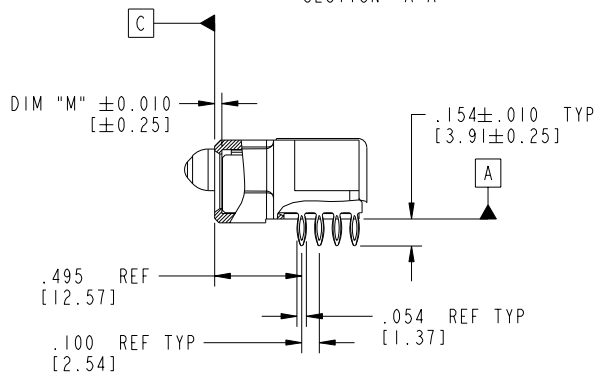
PRODUCT NUMBER  
51866-008--  
NOTE: (3)



VIEW D-D



SECTION A-A



SECTION B-B

mat'l code		SEE NOTE 2		tolerances unless otherwise specified		CUSTOMER		 www.fciconnect.com	
ltr	ecn no.	dr	date	linear	.XX±.01/0.X±0.3	COPY		title	
B					.XXX±.005/0.XX±0.13	projection		5P + 24S + 1M + 6P	
				angles	.XXX±.0020/0.XXX±0.051			R/A PRESS FIT RECEPT.	
				dr	0°±2°	INCH/MM		product family	
				enr	J. SHAFFER 11/29/01	scale		PwrBlade	
				chr	J. ALLISON 11/29/01	1:1		code	
				appd	J. ALLISON 11/29/01			213	
sheet index	revision sheet							size	
								A 51866-008	
								sheet	
								2 of 4	

cage code 22526

Pro/E

PDM: Rev:B

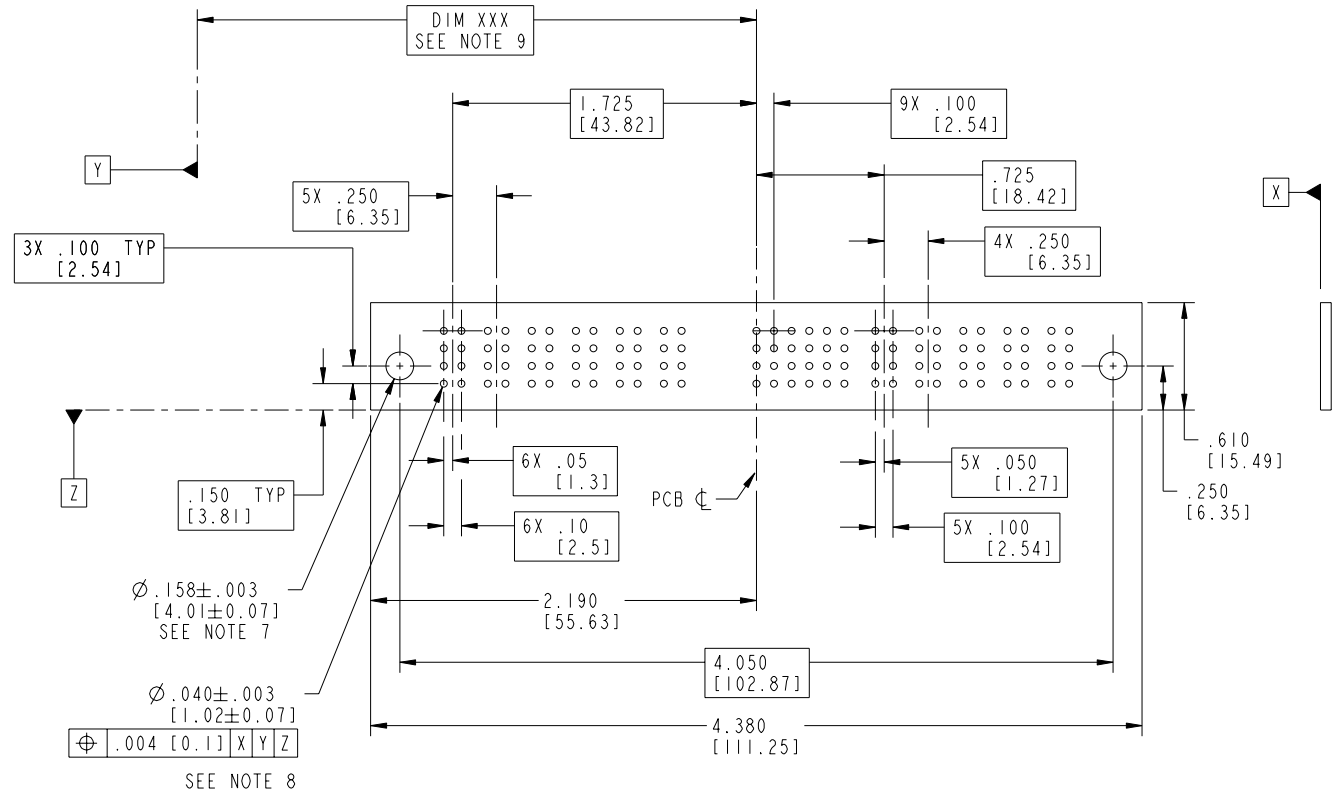
STATUS: Released

Printed: Aug 14, 2007

Tous droits strictement réservés. Reproduction ou communication a des tiers interdite sous quelque forme que ce soit sans autorisation écrite du propriétaire. Propriété de c FCI. Droits de reproduction FCI.

All rights strictly reserved. Reproduction or issue to third parties in any form whatever is not permitted without written authority from the proprietor. Property of FCI. Copyright FCI.

PRODUCT NUMBER  
51866-008\_-  
NOTE: ③



SEE NOTE 8  

⊕	.004	[0.1]	X	Y	Z
---	------	-------	---	---	---

mat'l code SEE NOTE 2				tolerances unless otherwise specified		CUSTOMER		 www.fciconnect.com	
ltr	ecn no.	dr	date	linear	.XX±.01/0.X±0.3	COPY		projection	
B				angles	.XXX±.005/0.XX±0.13	INCH/MM		title 5P + 24S + 1M + 6P R/A PRESS FIT RECEPT.	
				dr	.XXXX±.0020/0.XXX±0.051	scale 1:1		product family PwrBlade code 213	
				enr	0°±2°	A		size dwg no 51866-008 sheet 3 of 4	
				chr					
				appd					
sheet index	revision sheet								

cage code 22526

Pro/E

PDM: Rev:B

STATUS: Released

Printed: Aug 14, 2007

Tous droits strictement réservés. Reproduction ou communication à des tiers interdite sous quelque forme que ce soit sans autorisation écrite du propriétaire. Propriété de c FCI. Droits de reproduction FCI.

**A**  
**FCI**

All rights strictly reserved. Reproduction or issue to third parties in any form whatever is not permitted without written authority from the proprietor. Property of FCI. Copyright FCI.

**B**

PRODUCT NUMBER  
51866-008\_-  
NOTE: ③

NOTES:

1. DIMENSIONS AND TOLERANCES ARE IN ACCORDANCE WITH ASME Y14.5M, 1994 UNLESS OTHERWISE SPECIFIED.

CONNECTORS NOTES:

② HOUSING MATERIAL: UL 94 V-0 GLASS FILLED HIGH TEMP THERMO PLASTIC  
POWER CONTACT MATERIAL: COPPER ALLOY  
SIGNAL PIN MATERIAL: COPPER ALLOY

③ PLATING:

51866-008 Singal Pin: 30u"/0.76um Au OVER 50u"/1.27um Ni ON THE CONTACT AREA,  
AND 100u"/2.54um SnPb PLATING OVER 50u"/1.27um Ni ON THE TERMINATION SECTION.  
Power Pin: 30u"/0.76um Au OVER 50u"/1.27um Ni ON THE CONTACT AREA,  
AND 100u"/2.54um SnPb PLATING OVER 50u"/1.27um Ni ON THE TERMINATION SECTION.

51866-008LF Singal Pin: 30u"/0.76um Au OVER 50u"/1.27um Ni ON THE CONTACT AREA,  
AND 78u"/2.00um Sn PLATING OVER 50u"/1.27um Ni ON THE TERMINATION SECTION.  
Power Pin: 30u"/0.76um Au OVER 50u"/1.27um Ni ON THE CONTACT AREA,  
AND 78u"/2.00um Sn PLATING OVER 50u"/1.27um Ni ON THE TERMINATION SECTION.

PART NUMBER 51866-008LF MEETS EUROPEAN UNION DIRECTIVE AND OTHER COUNTRY REGULATIONS AS DESCRIBED IN GS-22-008.

THE HOUSING WILL WITHSTAND EXPOSURE TO 260° PEAK TEMPERATURE FOR 10 SECONDS IN A WAVE SOLDER APPLICATION WITH A CIRCUIT BOARD.

④ "MANUFACTURER" NAME, P/N, AND DATE CODE TO APPEAR ON THIS SURFACE.

⑤ PRODUCT SPECIFICATION GS-12-149.

PCB - NOTES:

⑥ ALL HOLE DIAMETERS ARE FINISHED HOLE SIZE.

7. HOLD DOWN THROUGH HOLES ARE UNPLATED.

8.  $\varnothing .0453 \pm 0.0010$  [1.151  $\pm$  0.025] DRILLED HOLES PLATED WITH 0.0003 [0.008] MIN SnPb OVER .001 [0.03] TO .003 [0.08] Cu PLATING TO ACHIEVE  $\varnothing .040 \pm .003$  [1.02  $\pm$  .07] HOLE.

9. "DIM XXX" TO BE DETERMINED BY THE CUSTOMER.

10. USE FCI CAM TOOL 430140-XXX TO APPLY CONNECTOR TO PCB.

mat'l code				SEE NOTE 2		tolerances unless otherwise specified		CUSTOMER		<b>A</b> <b>FCI</b> www.fciconnect.com	
ltr	ecn no.	dr	date	linear	.XX+ .01/0.X+0.3	projection		COPY			
B				angles	.XXX+ .005/0.XX+0.13	INCH/MM		title 5P + 24S + 1M + 6P R/A PRESS FIT RECEPT.			
				dr	XXXX+ .0020/0.XXX+0.051	scale		product family		code	
				enrg	0° ± 2°	1:1		PwrBlade		213	
				chr	J. SHAFFER 11/29/01			size		sheet	
				appd	J. ALLISON 11/29/01			A		4 of 4	
					J. ALLISON 11/29/01			51866-008			
sheet index	revision sheet										

cage code 22526 4

**PDM: Rev:B**

**STATUS: Released**

Printed: Aug 14, 2007